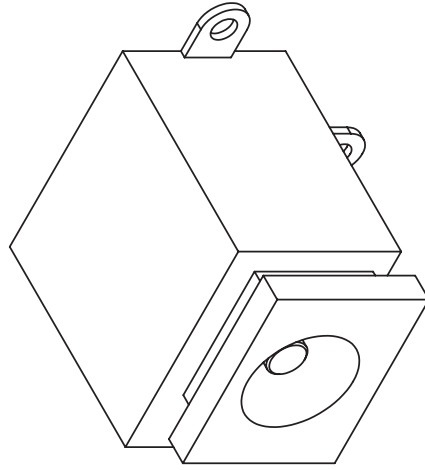
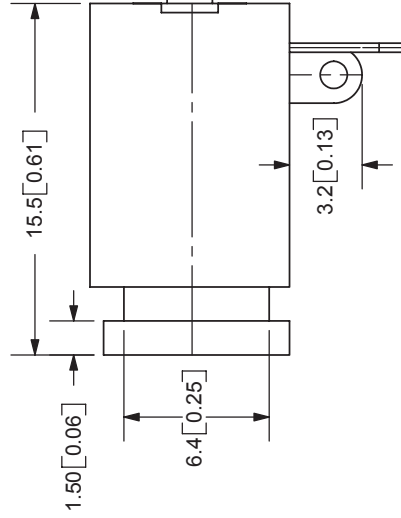
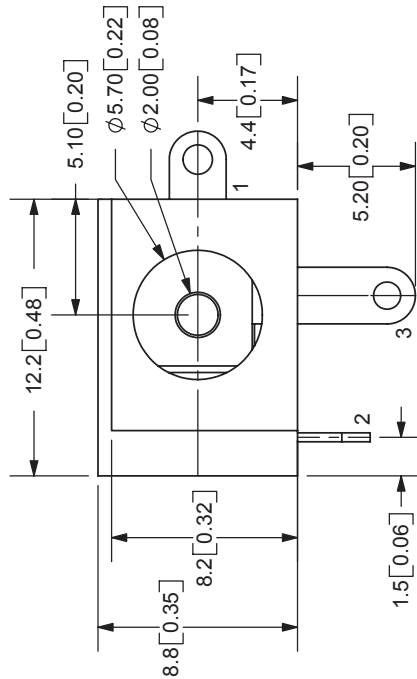
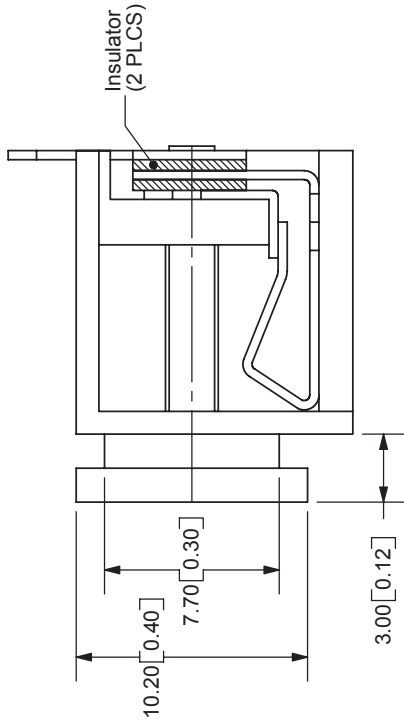


REV.	DESCRIPTION	DATE
A	NEW DRAWING	4/17/2006



TOLERANCE:
X.X ±0.2mm
X.XX ±0.1mm
X.XXX ±0.05mm



9615 SW Allen Blvd., Ste. 103
Beaverton, OR 97005
Phone: 503-643-4899
800-275-4899
Fax: 503-372-1266
Website: www.cui.com

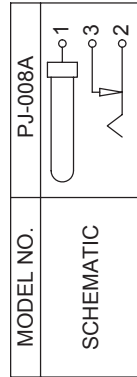
SPECIFICATIONS:
RATING: 16V DC @ 2.5A
CONTACT RESISTANCE: 30m OHMS MAX
INSULATION RESISTANCE: 50M OHMS MIN: 500V DC
VOLTAGE WITHSTAND: 500V AC R.M.S. FOR 1 MINUTE
LIFE: 5,000 CYCLES
OPERATING TEMP: -25° ~ +85°C

	MATERIAL	PLATING
CENTER PIN	Copper	Nickel
TERMINAL 1	Brass	Tin
TERMINAL 2	Copper Alloy	Tin
TERMINAL 3	Brass	Tin
INSULATORS	Vulcanized Fiber	
HOUSING	PBT	

TITLE: DC POWER JACK
REV: A

PART NO: PJ-008A
UNITS: MM [INCHES]

DRAWN BY: ZRJ
APPROVED BY:
SCALE: 3:1



CENTER PIN DIAMETER 2.0mm Dia.